

SALES AND ENGINEERING DATA

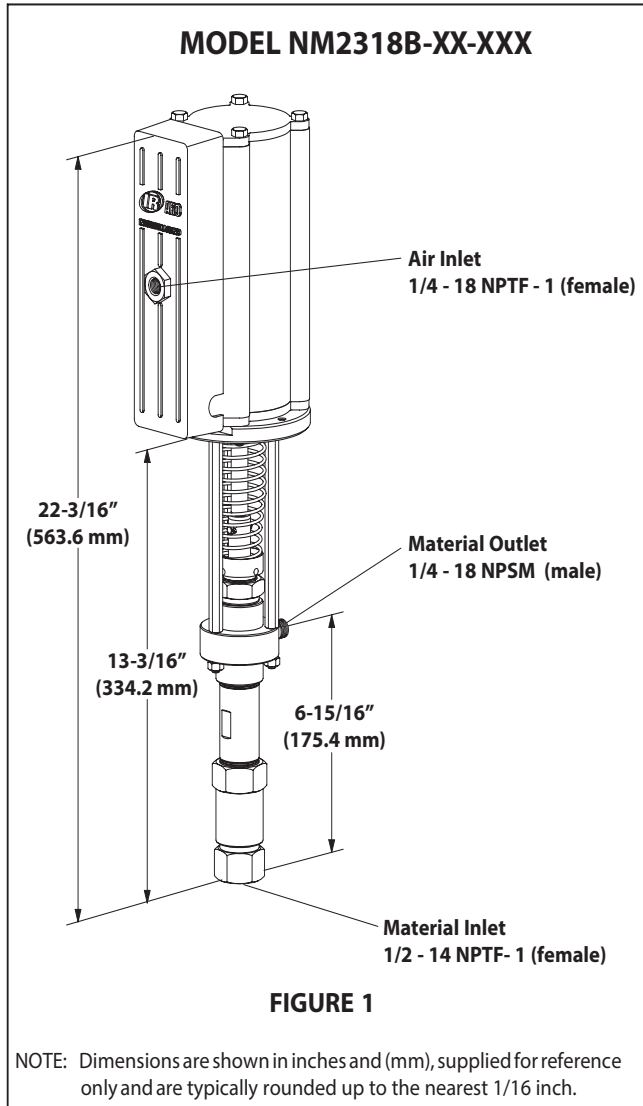
RATIO: **18:1**
SERIES:

FLUID PSIG: **30 - 2700**
RANGE:

RELEASED: **8-11-17**
(REV: A) **S-1229**

NM2318B-XX-XXX TWO - BALL PUMP

DIMENSIONAL DATA



SPECIFICATIONS

CONSTRUCTION

Model Series	NM2318B-XX-XXX
Pump Type	Air Operated, Two-Ball, Stainless Steel Pump
Ratio	18:1
Air Motor	66917
Air Motor Repair Kit	637316
Air Motor Diameter	3" (7.62 cm)
Stroke	3" (7.62 cm)
Air Inlet	1/4 - 18 NPTF - 1 (female)
Lower Pump End Series	67310-XX-XXX
Lower Pump Repair Kit	
NM2318B-13-C43	637394-C43
NM2318B-13-L43	637394-L43
Material Inlet	1/2 - 14 NPTF - 1 (female)
Material Outlet	1/4 - 18 NPSM (male)

MATERIALS OF CONSTRUCTION

Outlet Body	304 Stainless Steel
Plunger	17-4 Stainless Steel Chrome Plated
Upper Packing	
NM2318B-13-C43	UHMW-PE
NM2318B-13-L43	Mineral Filled PTFE
Lower Packing	
NM2318B-13-C43	UHMW-PE
NM2318B-13-L43	Mineral Filled PTFE
Upper Ball	440 Stainless Steel
Upper Seat	17-4 Stainless Steel
Lower Ball	440 Stainless Steel
Lower Seat	440 Stainless Steel
Inlet Body	304 Stainless Steel

PERFORMANCE

Air Inlet Pressure Range	30 - 150 psig (2.1 - 10.3 bar)
Fluid Pressure Range	540 - 2700 psig (37.2 - 186.2 bar)
Maximum Rec'd Cycles / Minute	120
Displacement Per Cycle	2.35 In ³ (38.5 cc)
Cycles Per Gallon	98
Flow @ 120 Cycles / Minute	1.22 gpm (4.6 lpm)
Noise Level @ 100 psig - 60 cpm	85 dB(A)①

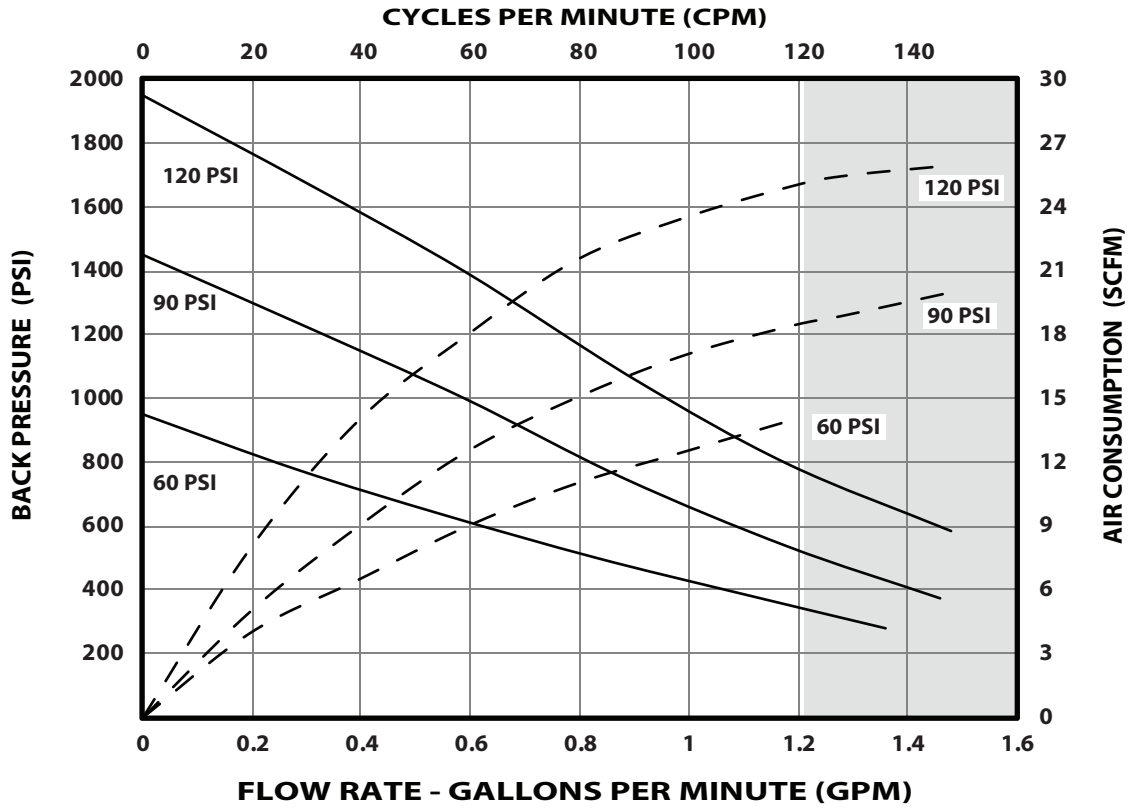
① The pump sound pressure level has been updated to an Equivalent Continuous Sound Level (LAeq) to meet the intent of ANSI S1. 13-1971, CAGI-PNEUROPS5.1 using four microphone locations.

ACCESSORIES:

95015 Wall Mount Bracket
66073-1 Air Line Connection Kit

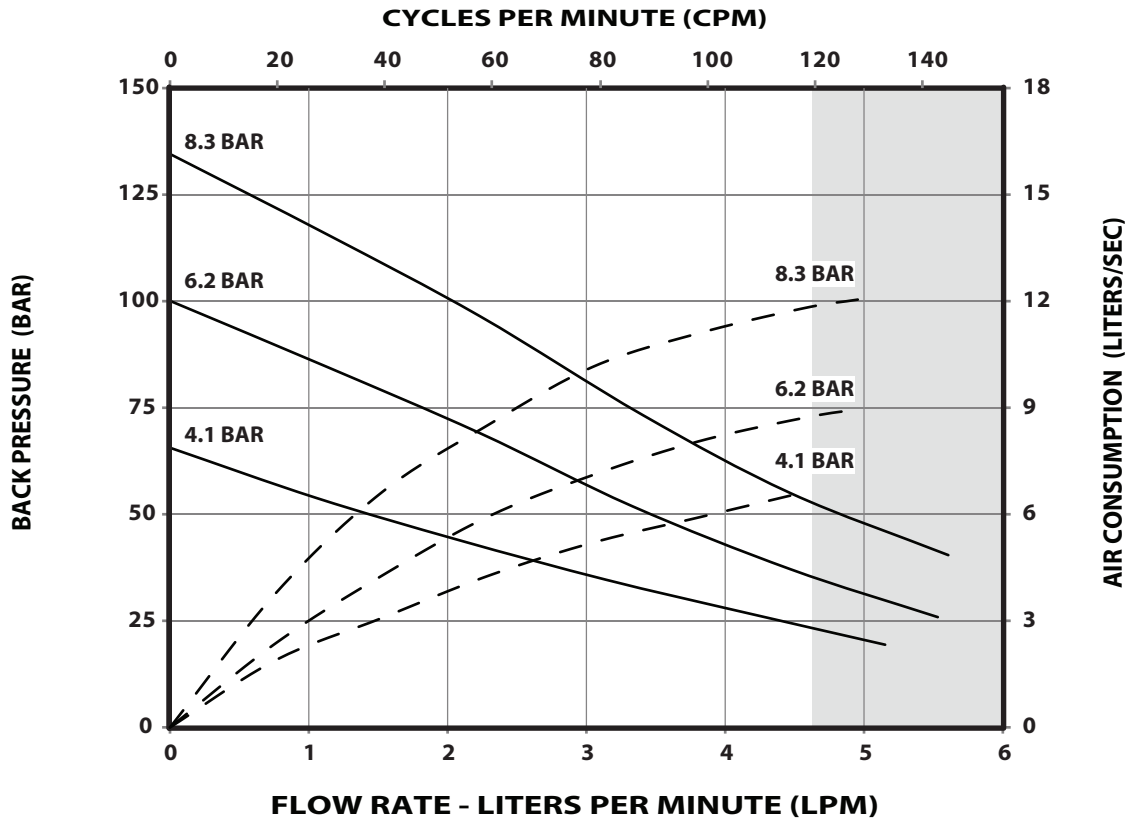
PERFORMANCE CURVES

PERFORMANCE BASED ON 30wt. OIL (100 cSt) AT 40° C TEMPERATURE



NOTE : NON SHADED AREA OF THE GRAPH REPRESENTS RECOMMENDED OPERATING RANGE

PERFORMANCE BASED ON 30wt. OIL (100 cSt) AT 40° C TEMPERATURE



NOTE : NON SHADED AREA OF THE GRAPH REPRESENTS RECOMMENDED OPERATING RANGE