

# SALES & ENGINEERING DATA

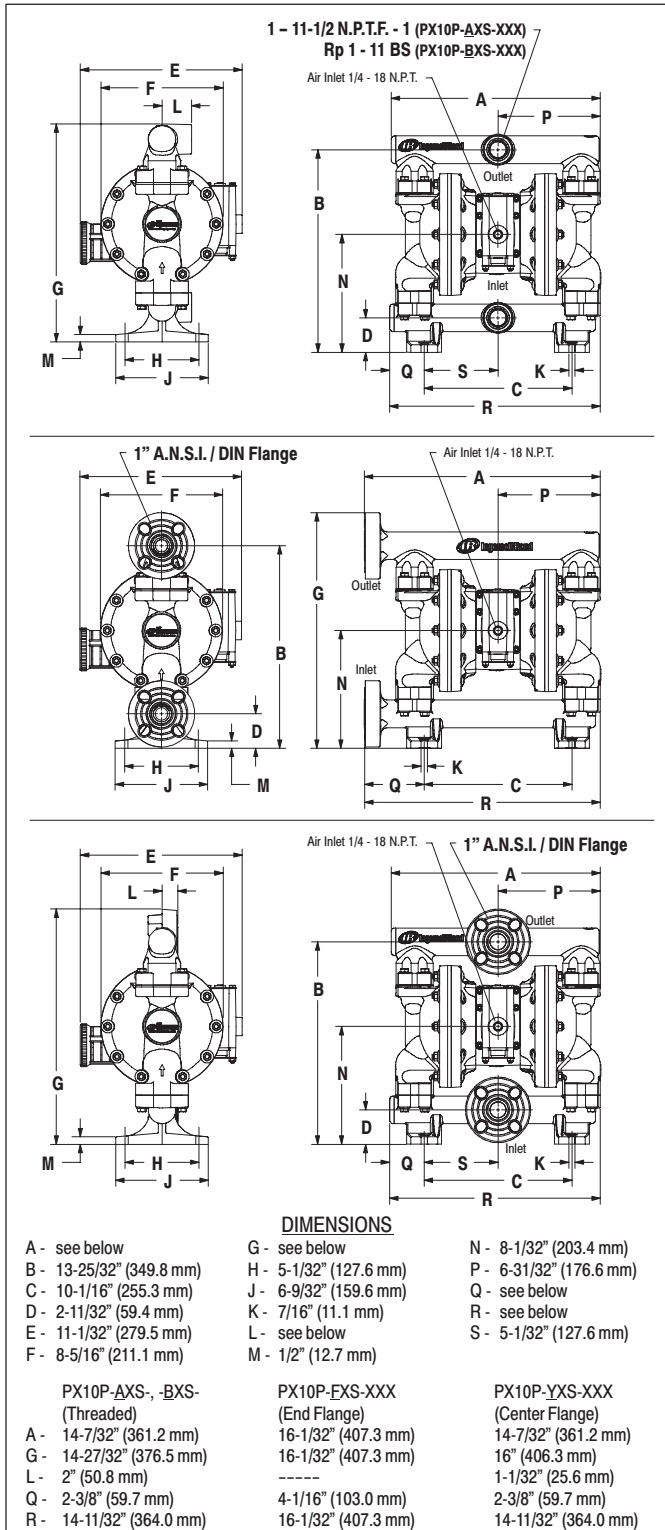
RATIO SERIES: **1:1**

FLUID P.S.I. RANGE: **20 - 120**

## PD10P-XXS-XXX and PE10P-XXS-XXX 1" NON-METALLIC DIAPHRAGM PUMP

RELEASED: 1-9-04  
REVISED: 9-16-11  
(REV. 06) S-1304

### DIMENSIONAL DATA



### SPECIFICATIONS

#### CONSTRUCTION

<b>Model Series</b> .....	PD10P-XXS-XXX PE10P-XXS-XXX
<b>Pump Type</b> .....	Non-Metallic, Air Operated, Double Diaphragm
<b>Ratio</b> .....	1:1
<b>Material Inlet / Outlet</b>	
PX10P-AXS-XXX (female) .....	1 - 11-1/2 N.P.T.F. - 1
PX10P-BXS-XXX (female) .....	Rp 1 - 11 BS
PX10P-FXS-XXX, -YXS .....	1" A.N.S.I. / DIN Flange
<b>Air Inlet (female)</b> .....	1/4 - 18 N.P.T.
<b>Air Exhaust (female)</b> .....	3/4 - 14 N.P.T.
<b>Weight</b> ..	
PX10P-AKS-XXX, -BKS ..	25.83 lbs (11.72 kgs)
PX10P-APS-XXX, -BPS ..	19.35 lbs (8.78 kgs)
PX10P-FKS-XXX .....	27.15 lbs (12.32 kgs)
PX10P-FPS-XXX .....	19.87 lbs (9.01 kgs)
PX10P-YKS-XXX .....	26.72 lbs (12.12 kgs)
PX10P-YPS-XXX .....	19.59 lbs (8.89 kgs)
<b>Air Section Service Kit</b> .....	637397
<b>Major Air Valve Assembly</b>	
PD10P-XXS-XXX .....	637395-1
PE10P-XXS-XXX .....	637395-2
<b>Fluid Section Service Kit</b> .....	637396-XX

PX10P-XXS-X

637396 -

Diaphragm Material  
Ball Material

EXAMPLE: Model # PD10P-FPS-PAA  
Fluid Section Service Kit is 637396-AA

#### PERFORMANCE

<b>Air Inlet Pressure Range</b> .....	20 - 120 p.s.i. (1.4 - 8.3 bar)
<b>Maximum Material Inlet Pressure</b> ..	10 p.s.i. (0.69 bar)
<b>Fluid Pressure Range</b> .....	20 - 120 p.s.i. (1.4 - 8.3 bar)
<b>Maximum Flow Rate (flooded inlet)</b> ..	53.0 g.p.m. (200.6 l.p.m.)
<b>Displacement / Cycle @ 100 p.s.i.</b> ..	0.226 gal. (0.86 lit.)
<b>Maximum Particle Size</b> .....	1/8" dia. (3.2 mm)
<b>Maximum Temperature Limits (diaphragm / ball / seal material)</b>	
E.P.R. / EPDM .....	-60° to 280° F (-51° to 138° C)
Hytrek .....	-20° to 150° F (-29° to 66° C)
Nitrile .....	10° to 180° F (-12° to 82° C)
Polypropylene .....	35° to 175° F (2° to 79° C)
P.V.D.F. (Kynar) .....	10° to 200° F (-12° to 93° C)
Santoprene .....	-40° to 225° F (-40° to 107° C)
PTFE .....	40° to 225° F (4° to 107° C)
Viton .....	-40° to 350° F (-40° to 177° C)
<b>Noise Level @ 70 p.s.i. - 60 c.p.m.</b> ..	79.7 db(A)①

① The pump sound pressure level has been updated to an Equivalent Continuous Sound Level (L<sub>Aeq</sub>) to meet the intent of ANSI S1. 13-1971, CAGI-PNEUROPS S5.1 using four microphone locations.

# PERFORMANCE CURVES

## PX10P-XXS-XXX 1" NON-METALLIC DIAPHRAGM PUMP

