

# SALES AND ENGINEERING DATA

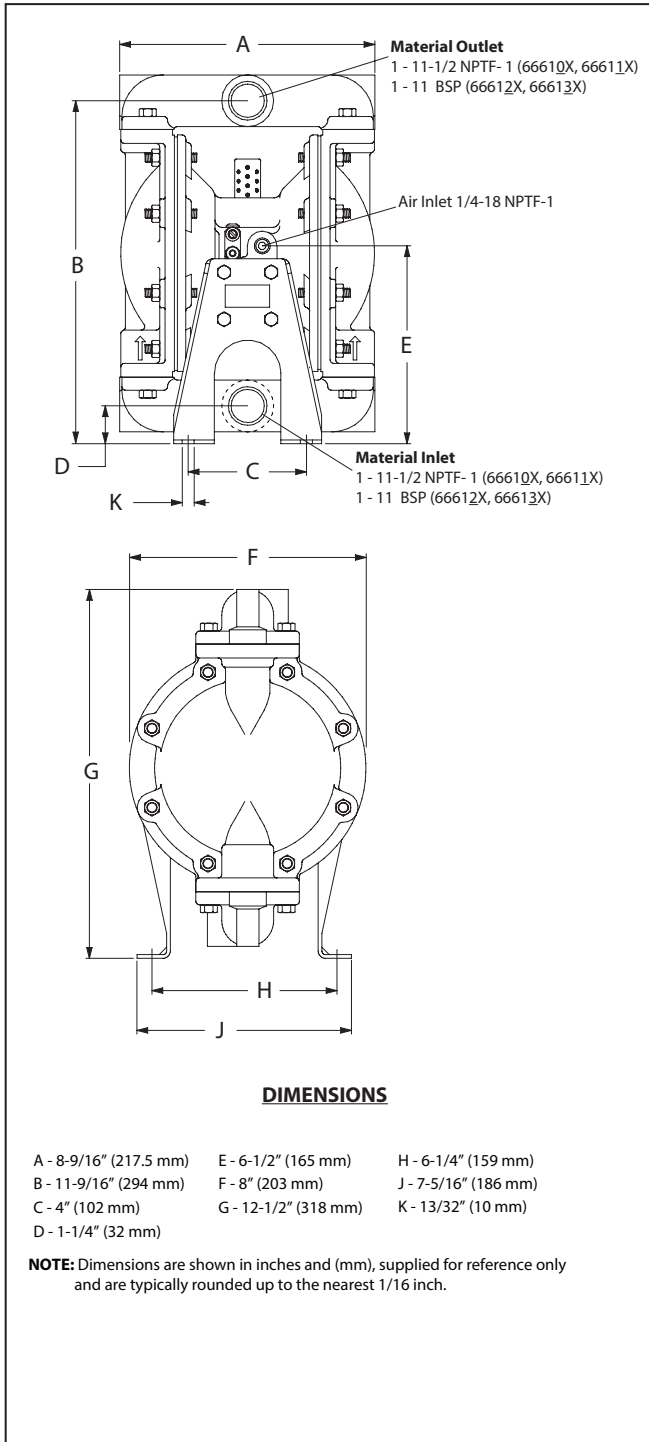
RATIO SERIES: **1:1**

FLUID PSIG RANGE: **20 - 120**

## 66610X-XXX-C 1" METALLIC DIAPHRAGM PUMP

RELEASED: 12-20-96  
REVISED: 1-25-19  
(REV: J) S-878

### DIMENSIONAL DATA - 66610X, 1XA, 1X2 AND 1XC



### SPECIFICATIONS - 66610X-X-C

#### CONSTRUCTION

<b>Model Series</b> .....	66610X-XXX-C
<b>Pump Type</b> .....	Metallic, Air operated, Double Diaphragm
<b>Ratio</b> .....	1:1
<b>Material Inlet / Outlet (female)</b>	
66610X-X-C and 66611X-X-C .....	1 - 11-1/2 NPTF- 1
66612X-X-C and 66613X-X-C .....	1 - 11 BSP
<b>Air Inlet (female)</b> .....	1/4 - 18 NPTF- 1
<b>Air Exhaust (female)</b> .....	3/8 - 18 NPTF - 1
<b>Weight</b>	
Aluminum .....	19 lbs (8.62 kgs)
Cast Iron .....	31 lbs (14.06 kg)
Stainless Steel .....	28.95 lbs (13.13 kgs)
	(add 8 lbs (3.63 kgs) for cast iron air motor section)
<b>Air Section Service Kit</b> .....	637118-C
<b>Fluid Section Service Kit</b> .....	637119-XX-C
<b>Composite PTFE Diaphragm Kit</b> ....	48495964

66610X - X XX - C  
637119 - XX - C  
Ball Material - Diaphragm Material

Example: Model 666100-361-C  
Fluid Section Service Kit is 637119-61-C

#### PERFORMANCE

<b>Air Inlet Pressure Range</b> .....	20 - 120 psig (1.4 - 8.3 bar)
<b>Maximum Material Inlet Pressure</b> ..	10 psig (0.69 bar)
<b>Fluid Pressure Range</b> .....	20 - 120 psig (1.4 - 8.3 bar)
<b>Maximum Flow Rate (flooded inlet)</b> ..	35 gpm (133 lpm)
<b>Maximum Particle Size</b> .....	1/8" dia. (3.2 mm)
<b>Maximum Temperature Limits (diaphragm / ball / seat material)</b>	
Acetal .....	-20° to 180° F (-29° to 82° C)
E.P.R. / EPDM .....	-60° to 280° F (-51° to 138° C)
Hytre <sup>®</sup> .....	-20° to 180° F (-29° to 82° C)
Neoprene .....	0° to 200° F (-18° to 93° C)
Nitrile .....	10° to 180° F (-12° to 82° C)
Polypropylene .....	32° to 175° F (0° to 79° C)
Polyurethane .....	-10° to 150° F (-23° to 66° C)
PVDF (Kynar <sup>®</sup> ) .....	10° to 200° F (-12° to 93° C)
PTFE .....	40° to 225° F (4° to 107° C)
Composite PTFE .....	14° to 194° F (-10° to 90° C)
Santoprene <sup>®</sup> .....	-40° to 225° F (-40° to 107° C)
Viton <sup>®</sup> .....	-40° to 350° F (-40° to 177° C)
<b>Displacement / Cycle @ 100 psig</b>	
Standard Diaphragm .....	0.16 gal. (60 lit)
Composite PTFE Diaphragm .....	0.14 gal. (0.525 lit)
<b>Noise Level @ 70 psig, 60 cpm<sup>①</sup></b> .....	78.3 dB(A) <sup>②</sup>

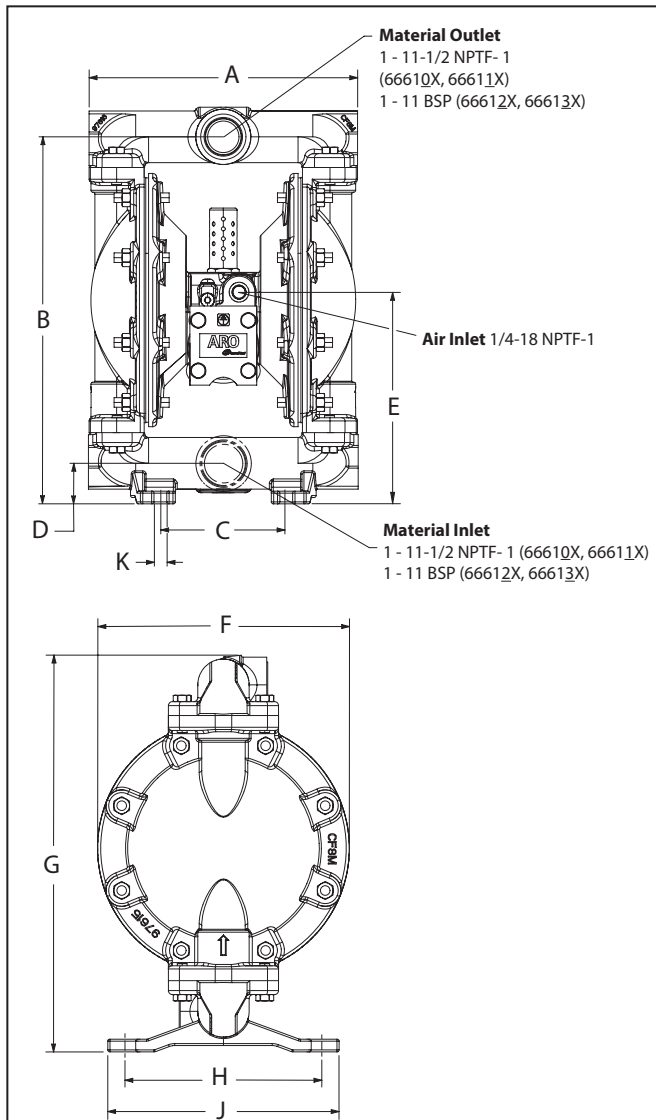
① Tested with 93110 muffler installed.

② The pump sound pressure level has been updated to an Equivalent Continuous Sound Level (LAeq) to meet the intent of ANSI S1.13-1971, CAGI-PNEUROP S5.1 using four microphone locations.

#### ACCESSORIES:

65010 Neoprene "O" Ring Air Motor Kit  
65764 Viton "O" Ring Air Motor Kit  
66073-2 Air Line Connection Kit  
637167 Abrasion Resistant Conversion Kit

## DIMENSIONAL DATA - 6661X1, 6661XB

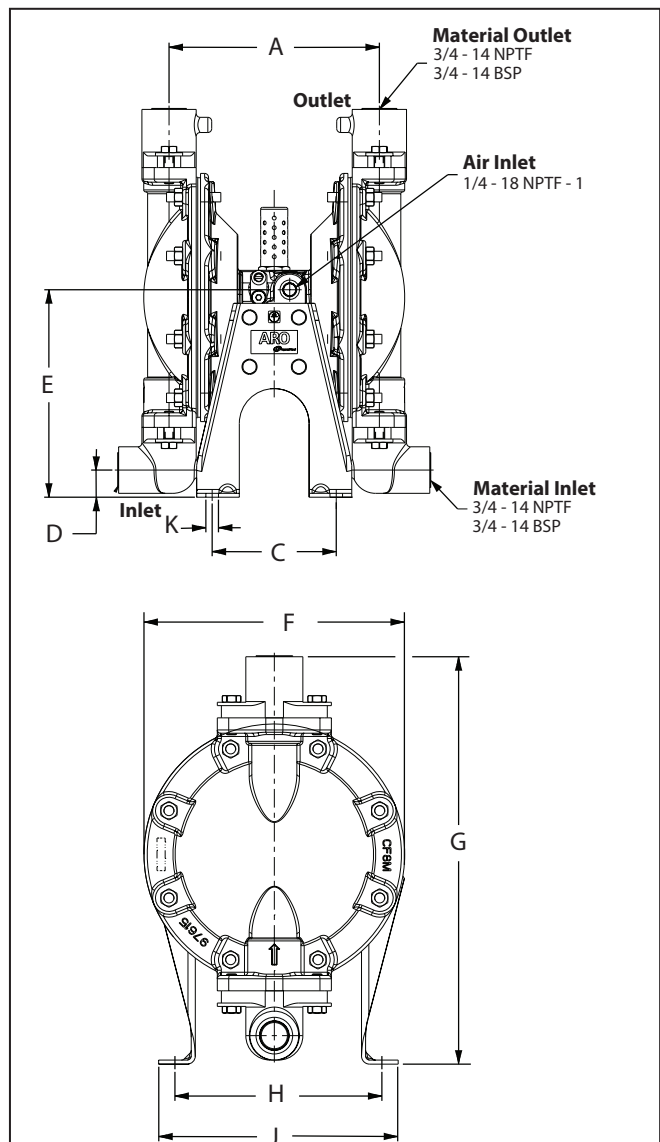


### DIMENSIONS

A - 8-9/16" (217.5 mm)	E - 6-1/2" (165 mm)	H - 6-1/8" (155 mm)
B - 11-9/16" (294 mm)	F - 8" (203 mm)	J - 7-5/16" (186 mm)
C - 4" (102 mm)	G - 12-7/16" (315 mm)	K - 13/32" (10 mm)
D - 1-1/4" (32 mm)		

**NOTE:** Dimensions are shown in inches and (mm), supplied for reference only and are typically rounded up to the nearest 1/16 inch.

## DIMENSIONAL DATA - 6661X9, 6661XD



### DIMENSIONS

A - 6-3/4" (172 mm)	E - 6-1/2" (165 mm)	H - 6-1/4" (161 mm)
C - 4" (102 mm)	F - 8" (203 mm)	J - 7-5/16" (186 mm)
D - 7/8" (22.2 mm)	G - 12-1/2" (318 mm)	K - 13/32" (10 mm)

**NOTE:** Dimensions are shown in inches and (mm), supplied for reference only and are typically rounded up to the nearest 1/16 inch.

# PERFORMANCE CURVES

## 6661XX-XXX-C 1" METALLIC DIAPHRAGM PUMP

