



### DIMENSIONAL DATA

Dimensions shown are for reference only, they are displayed in inches and millimeters (mm).

#### Modell SB20P-FPS-X

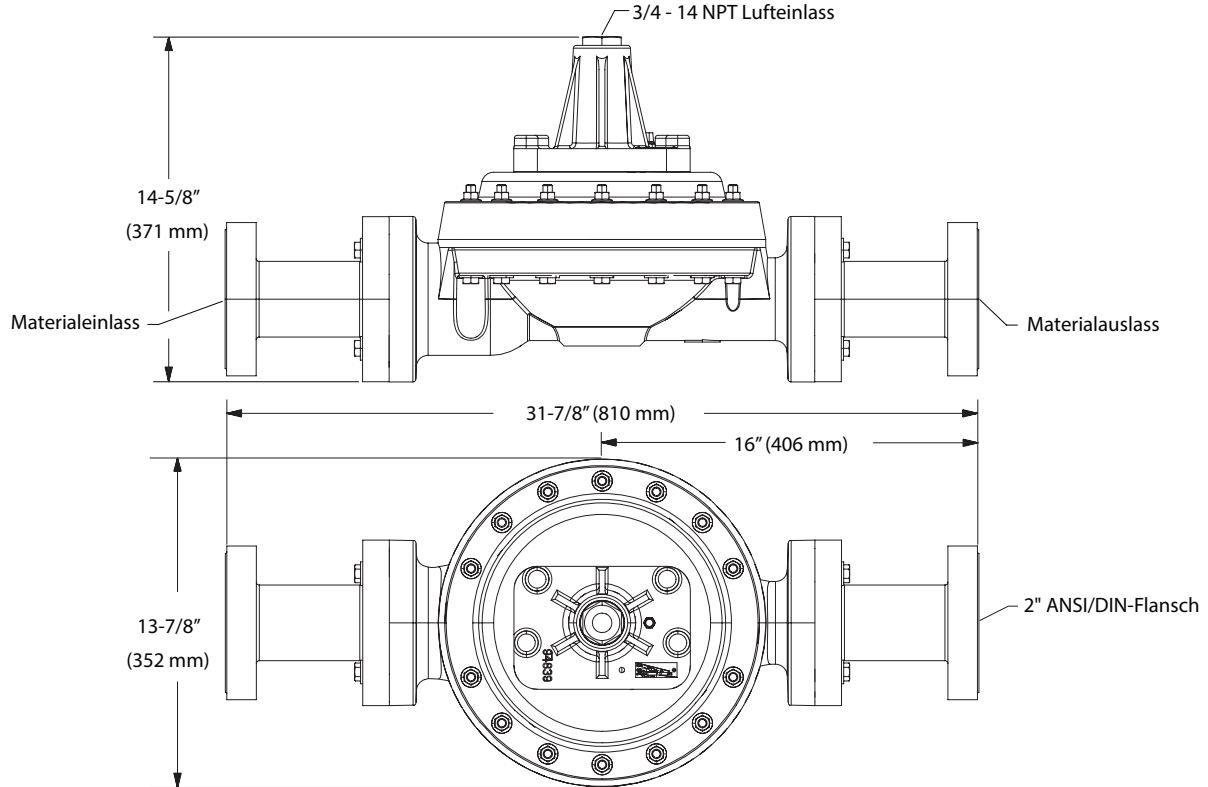


Abbildung 2

#### Modell SB20P-KPS-X, SB20P-LPS-X

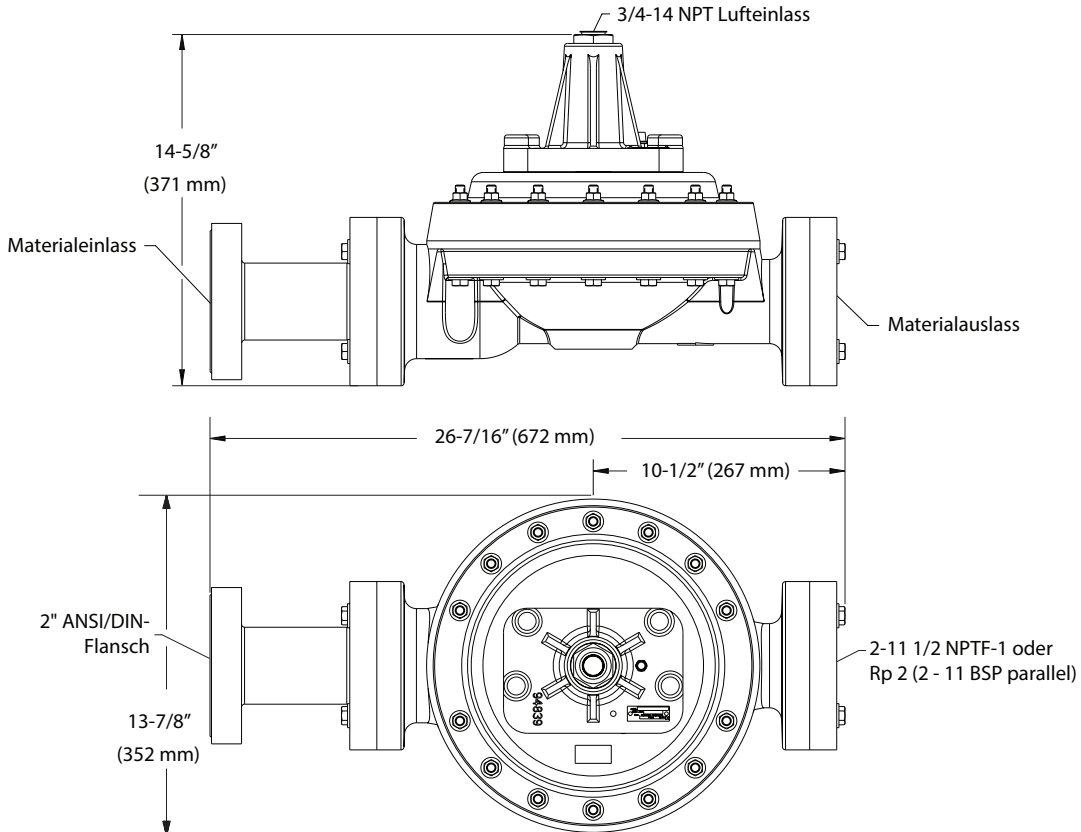


Abbildung 3